

TopBrewer

Pre-Installation Guide TopBrewer Pro

Version: 5.11
26-09-2023

scanomat



HOW TO USE THE PRE-INSTALLATION GUIDE

This pre-installation guide is made to help prepare the site for installation of Scanomat's TopBrewer Pro.

PLEASE READ THE ENTIRE MANUAL CAREFULLY BEFORE STARTING.

Before the Scanomat technician can install the ordered TopBrewer Pro configuration the site needs to be prepared to specification.

CHECKLIST:

1. Space for machines match minimum requirements in guide for chosen configuration
2. Cut-outs
 - a. Drip tray and Faucet: Cut-out in countertop based on the chosen drip tray type
 - b. iPad: Cut-out in countertop based on chosen iPad holder
 - c. Cut-out in baseboard and toe kick for ventilation
3. Electric installation by certified electrician with the correct layout for the chosen configuration
4. Plumbing by certified plumber, including water in and drainage out.



Please share this guide with each professional involved in the project: Carpenter, Plumber, Electrician



Be aware of which iPad holder and drip tray that is chosen for the installation before making cut-outs in tabletop.



Always measure from the inside of the cabinet for cut-outs. All dimensions shown are internal dimensions unless stated otherwise.

CONFIGURATIONS AND OVERVIEW

3	Unit Specifications
4	TP1
5	TP2
6	TP3
7	TP4

CARPENTER

9	TP1 & TP2
10	TP1 & TP2
11	TP3 & TP4
12	Faucet Cutouts + Aluminium Dock
14	Faucet Cutouts + Deluxe Holder
16	Drip tray Countersunk
17	Drip tray Top Mounted
18	Optional accessories

ELECTRIC




20	TP1 + TP2
21	TP3 + TP4

PLUMBING

23	Adjacent sink
24	In-cabinet plumbing

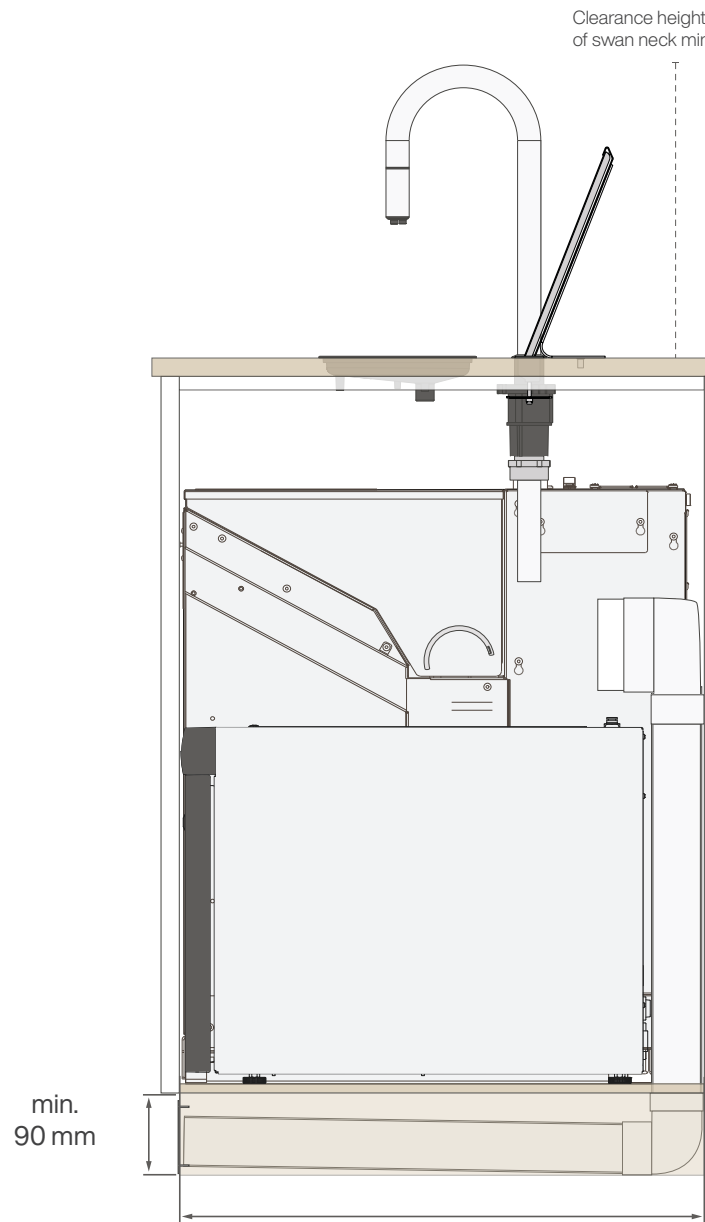
Unit Specifications



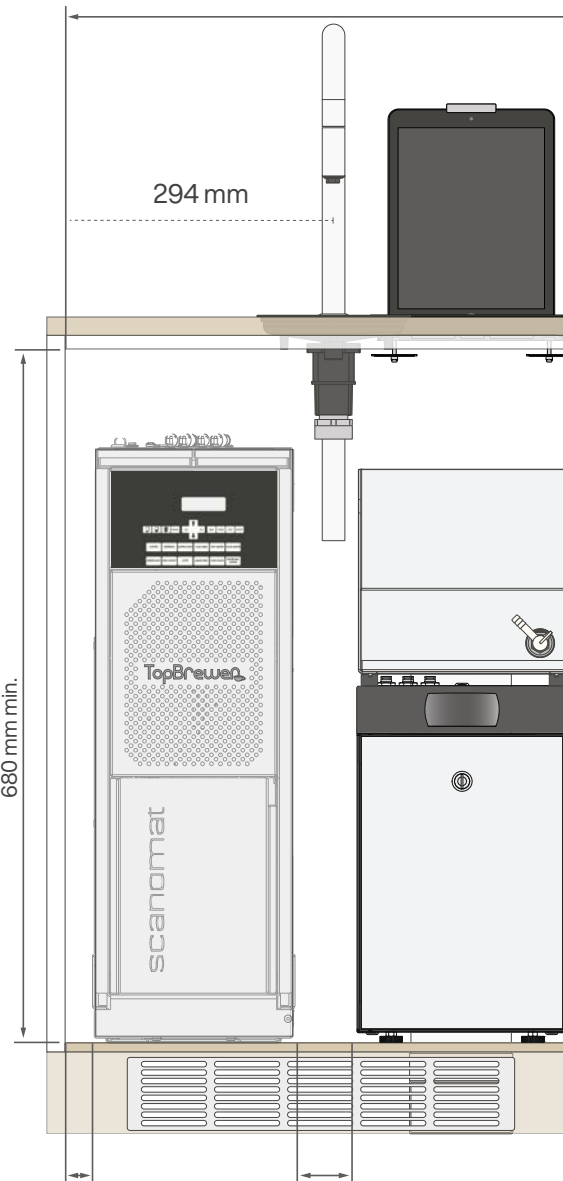
UNIT DETAILS	TopBrewer Pro		SmartFridge	Cooler 45	ICE-bank Fridge	Chocolate rack
Unit Dimensions (WxDxH)	224 x 560 x 667 mm		230 x 530 x 390 mm	255 x 464 x 404 mm	236 x 569 x 428.5 mm	230 x 323 x 237 mm
Packing Dimensions (WxDxH)	320 x 660 x 790 mm			265 x 483 x 464 mm	246 x 579 x 488.5 mm	240 x 338 x 297 mm
Weight, gross.	60 kg		17,5 kg	22 kg	25 kg	8 kg
Weight, net.	56 kg		15,5 kg	19 kg	22 kg	5 kg
Bean/carton Capacity	2 x 1.4 kg		Up to 9 l.	-	Up to 4 l.	3 l. Bag-in-box
Throughput/hour	180 cups		-	Up to 45 l.	Up to 4 L	-
Power	1558EUVER.XX.XX	 16A 3P+N+E	3 phase 400V, 16 amp 6900 watt	208-240V, 50/60 Hz, 4 Amp	220-240V, 50hz, 10 Amp. 3-pin plug point	-
	1558UKVER.XX.XX	 32A 3P CEE	Single Phase, 32 Amp - Commando fitting 220-250V, 6900 watt <i>Alternative: Priority Heating</i> 220-250V, 10 amp, single phase			
	1558USVER.XX.XX	 L6-30R	L6-30 twist lock plug 2P, 250V, 30 amp <i>Alternative: Priority Heating</i> 220-250V, 10 amp, single phase			
Water	Direct Water Connection, 3/4" type shutoff valve Water pressure: 200kPa (2 Bar) - 600 kPa (6 Bar)		-	Direct Water Connection, 3/4" type shutoff valve Water pressure: 200kPa (2 Bar) - 600 kPa (6 Bar)	-	-
Filtration	TopBrewer water filters fitted in a location adjacent to the TopBrewer. See plumbing section. Dedicated steam filter required (Pure 50, 0% bypass)		-	TopBrewer ActiveCoal, optional, purifies the water with active coal	-	-
Drainage	Waste U-pipe, ø40mm. Manifold/drain plug (included, see Plumbing section) is inserted and components are connected here.					
Ventilation	Duct Fan Ventilation required. Cooler produces a lot of heat, which needs to be able to exit as per installation instructions in Carpenter section					

Dual Coffee | Single/Dual Milk | Chiller | Chocolate

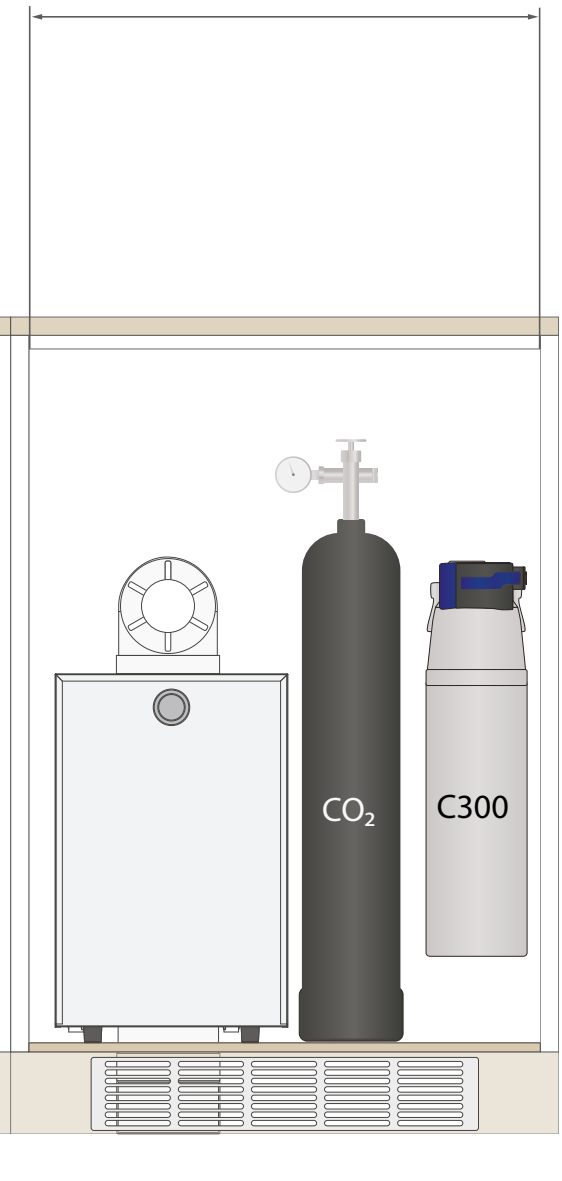
TP1



580mm internal width recommended
min. total width 560mm



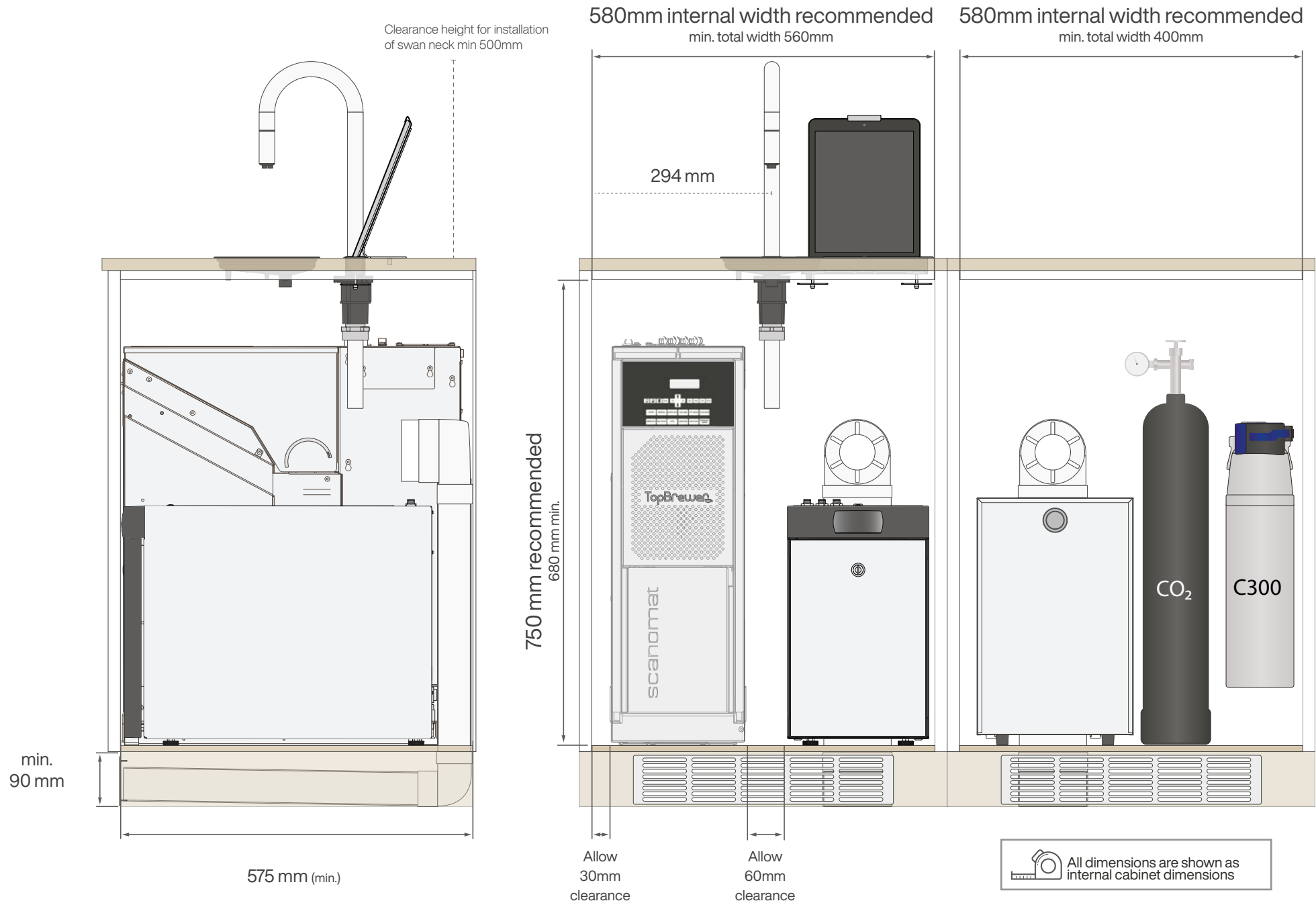
580mm internal width recommended
min. total width 400mm



All dimensions are shown as internal cabinet dimensions

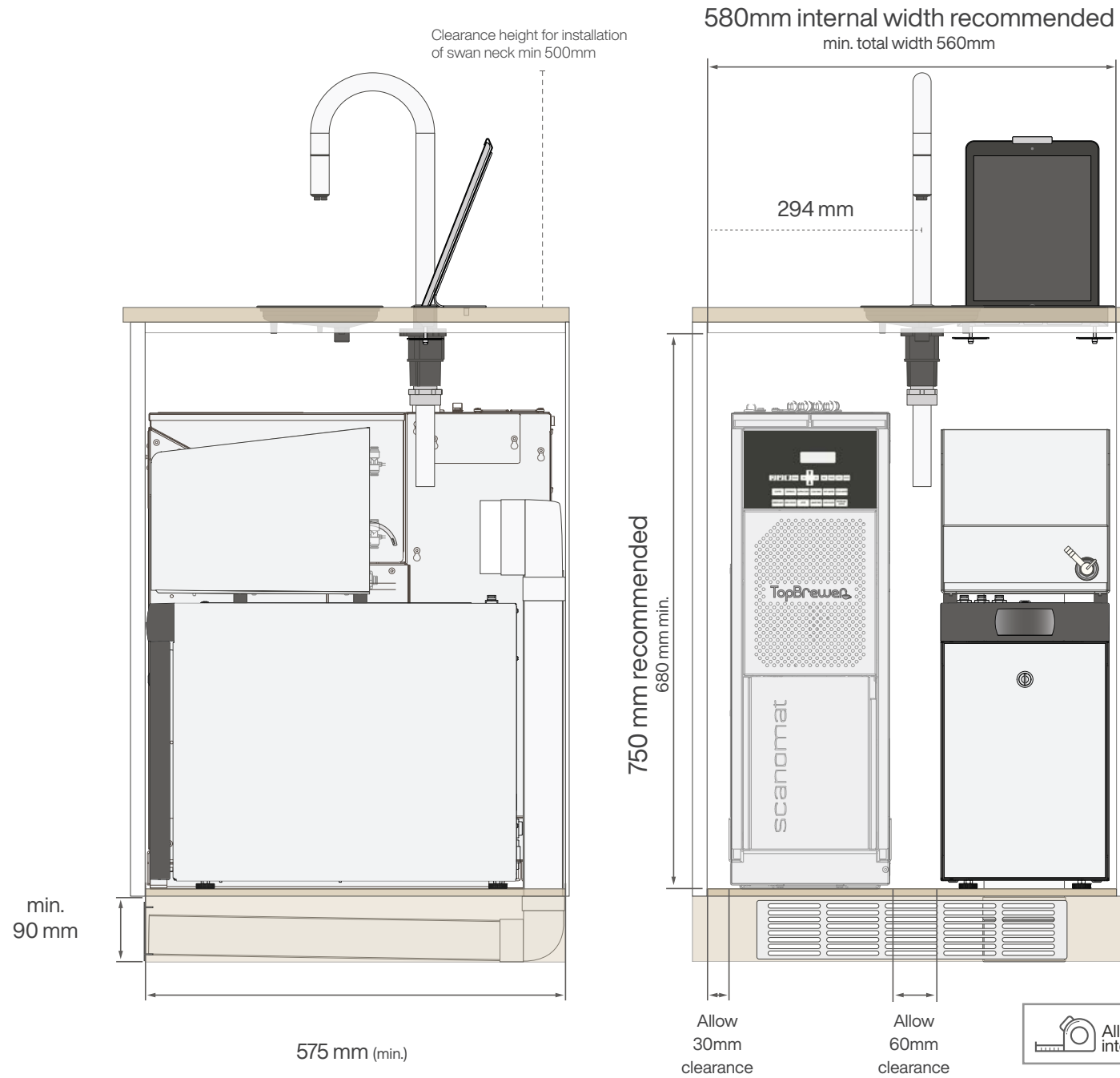
Dual Coffee | Single/Dual Milk | Chiller

TP2



Dual Coffee | Single/Dual Milk | Chocolate

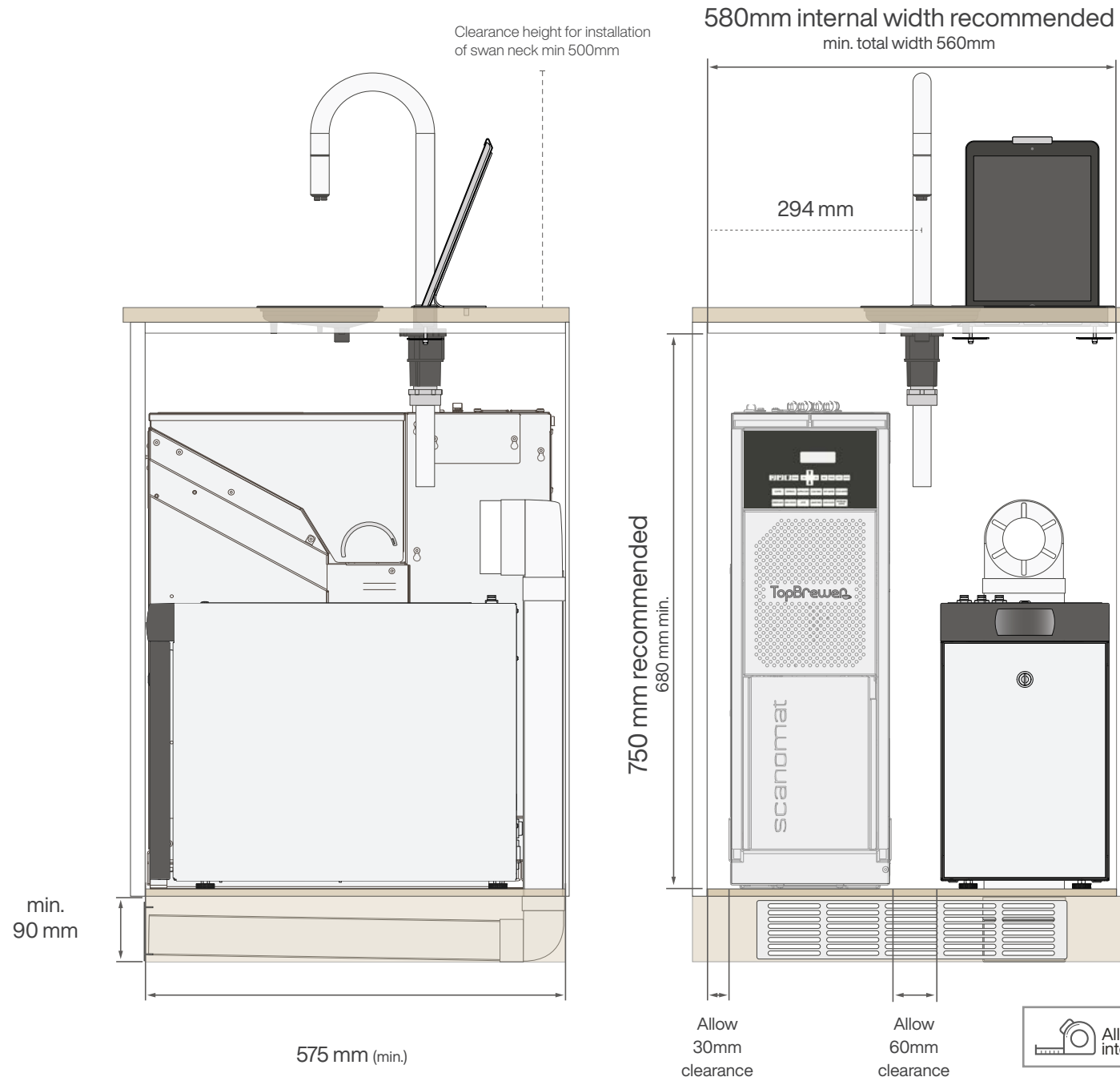
TP3



 All dimensions are shown as internal cabinet dimensions

Dual Coffee | Single/Dual Milk

TP4



CARPENTER

SNEDKER

ZIMMERMANN

木匠


To prepare cabinets for installation following cut-outs shall be made:

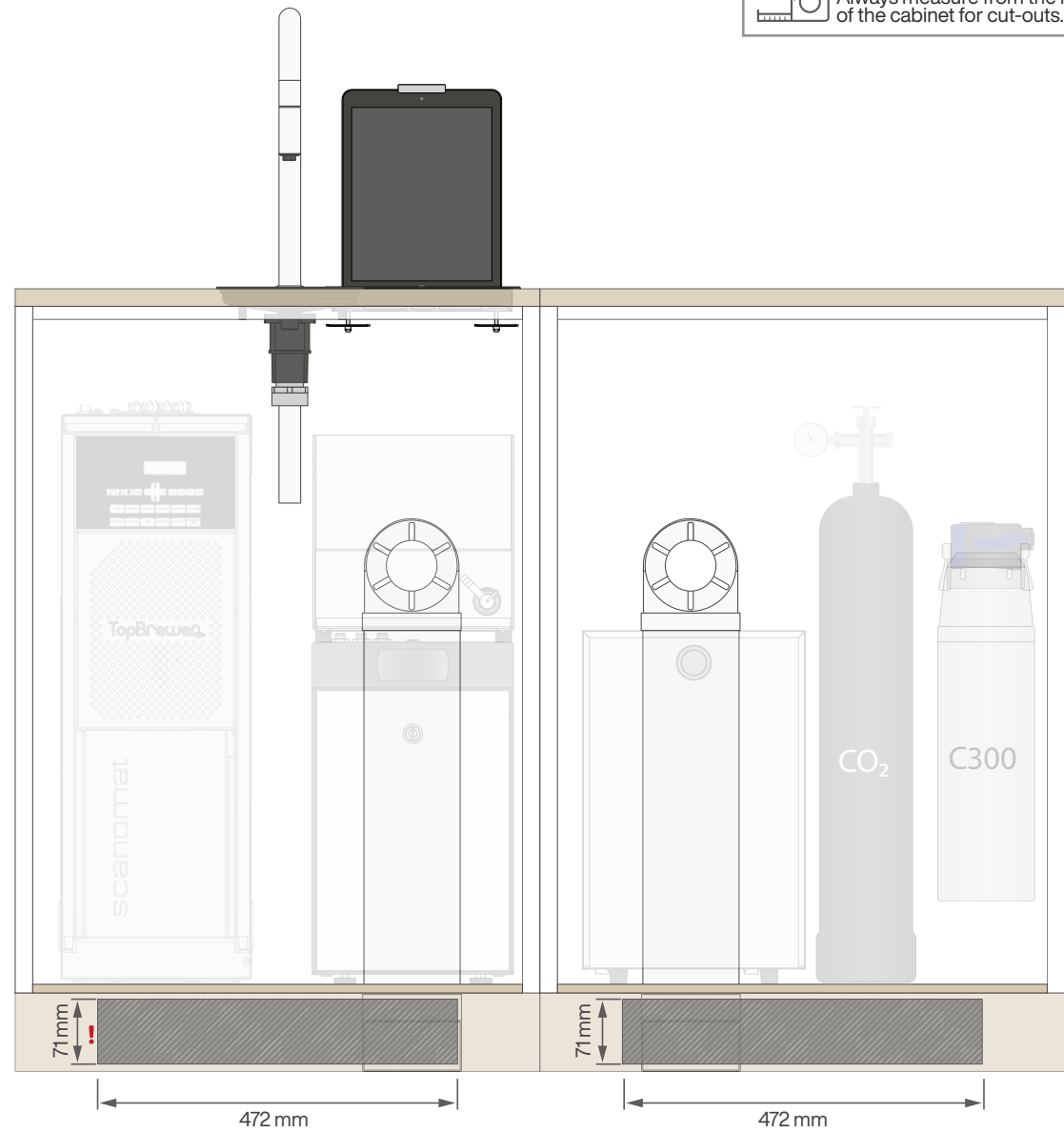
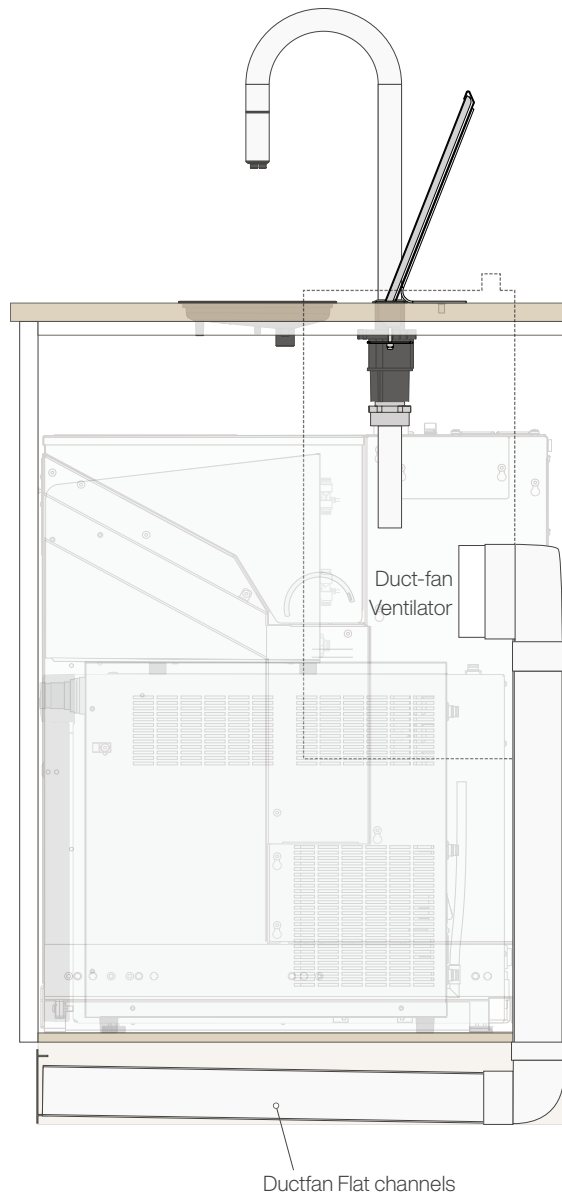
1. Cut-out for alu-grill in front footpanel (this page)
2. Cut-outs in cabinet bottom for flat channels and air-inlets (page 10)
3. Cut-outs in tabletop for faucet, driptray and iPad holder (page 13 or 15)



TP1 & TP2

1 of 2 | Front and side view

 Always measure from the inside of the cabinet for cut-outs.




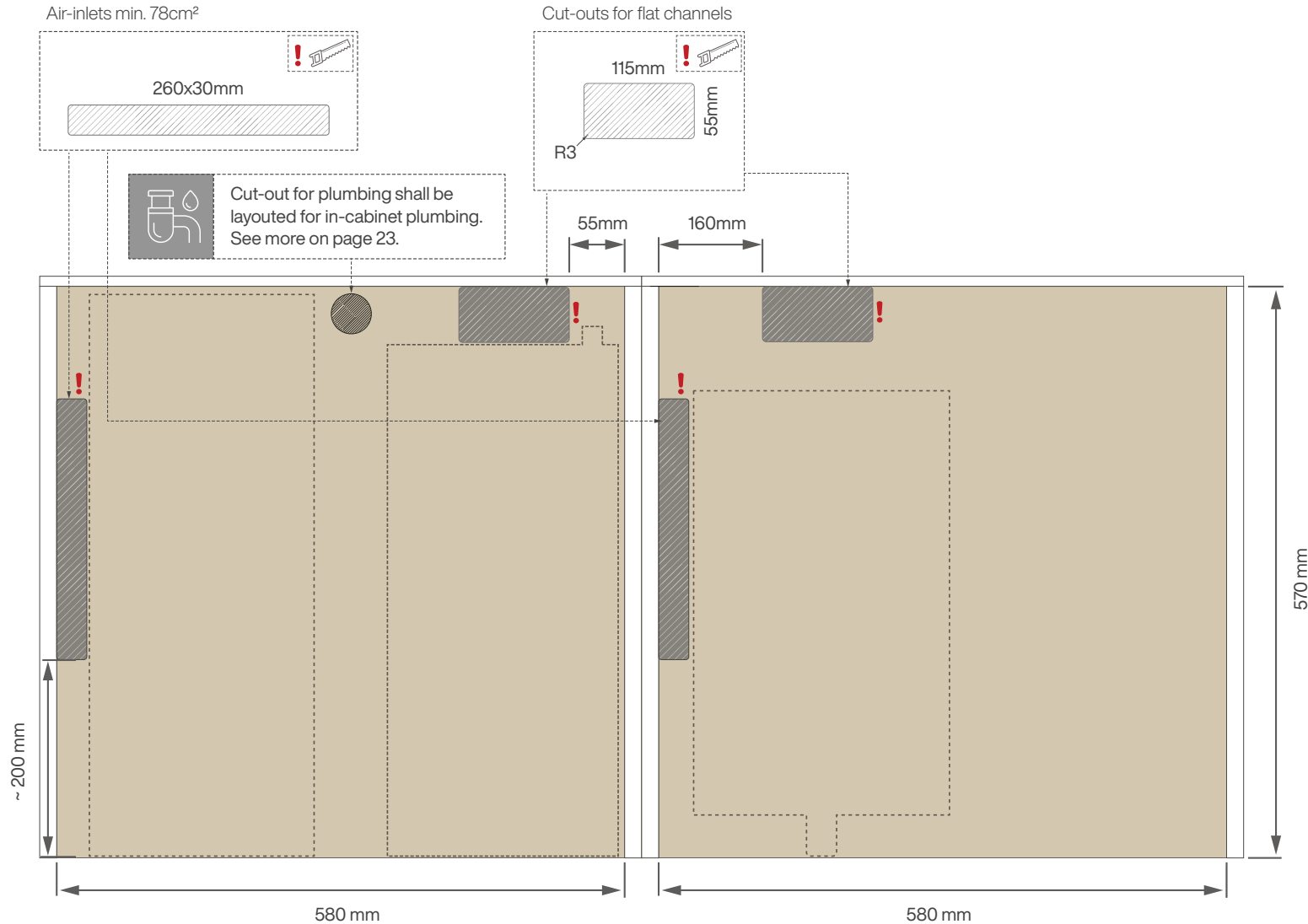
Cut-outs for alu-grill
(optional to use grill from the Scanomat Ventilation Kit - dimensions for air outlet shall be kept)

Cut-outs in cabinet bottom for flat channels and air-inlets

TP1 & TP2

2 of 2 | Top view

 Always measure from the inside of the cabinet for cut-outs.




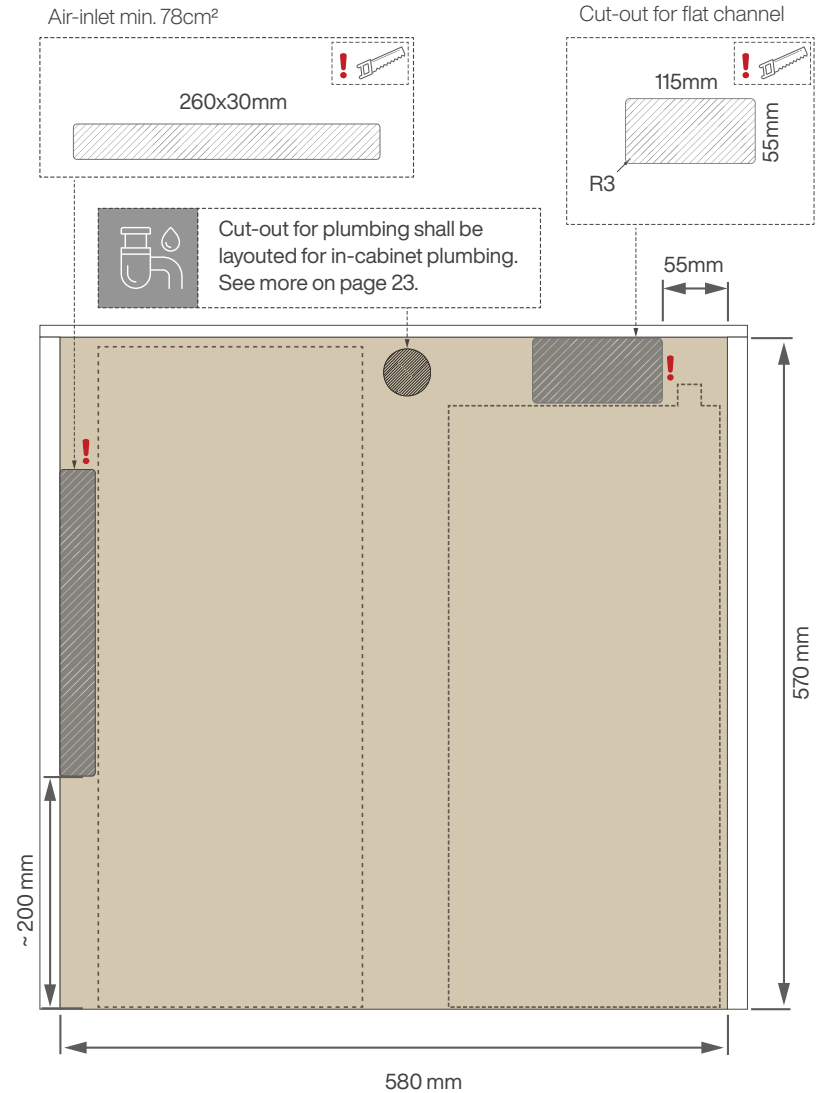
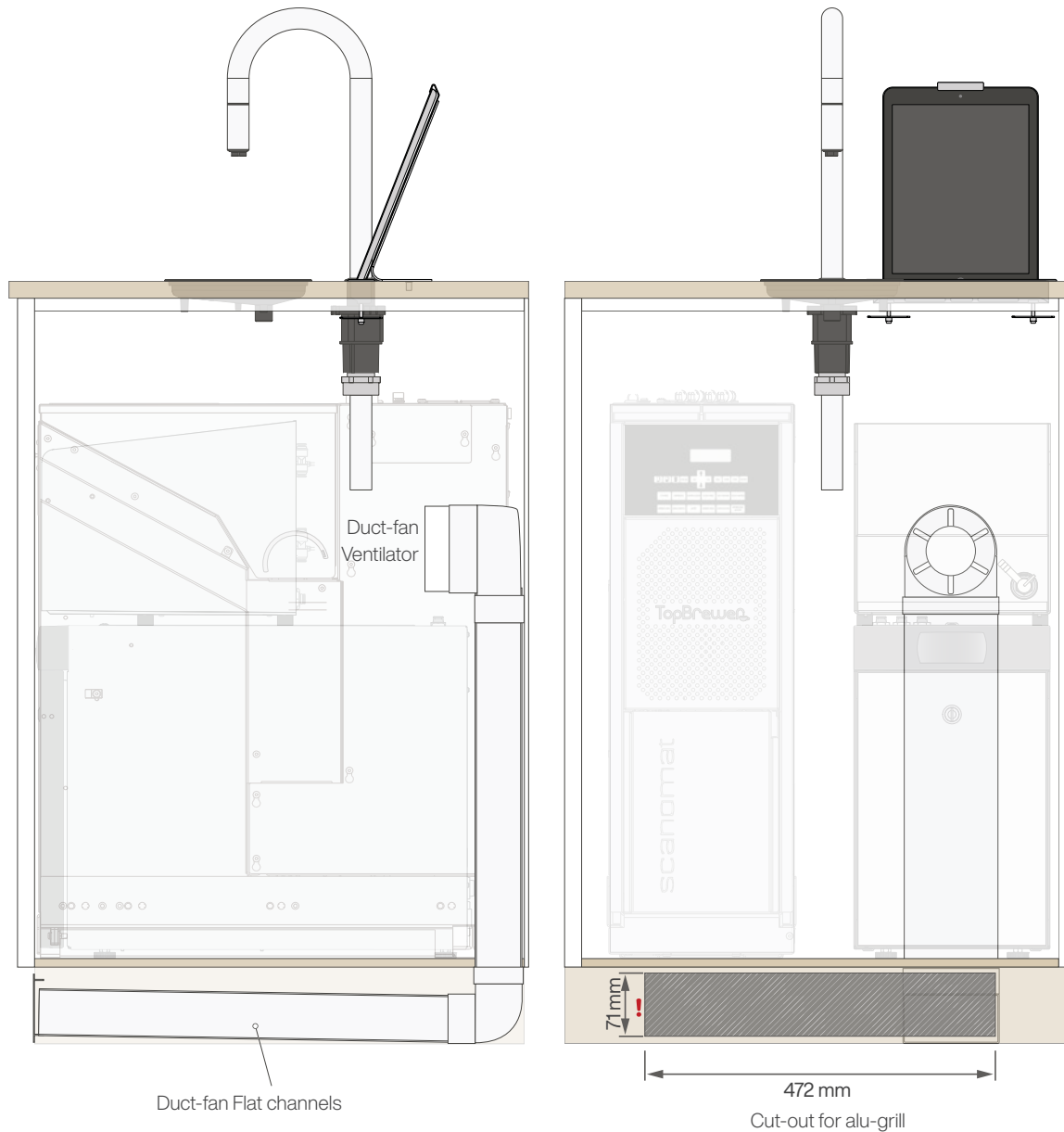
To prepare cabinets for installation following cut-outs shall be made:

1. Cut-out for alu-grill in front footpanel (this page)
2. Cut-outs in cabinet bottom for flat channels and air-inlets (this page)
3. Cut-outs in tabletop for faucet, driptray and iPad holder (page 13 or 15)



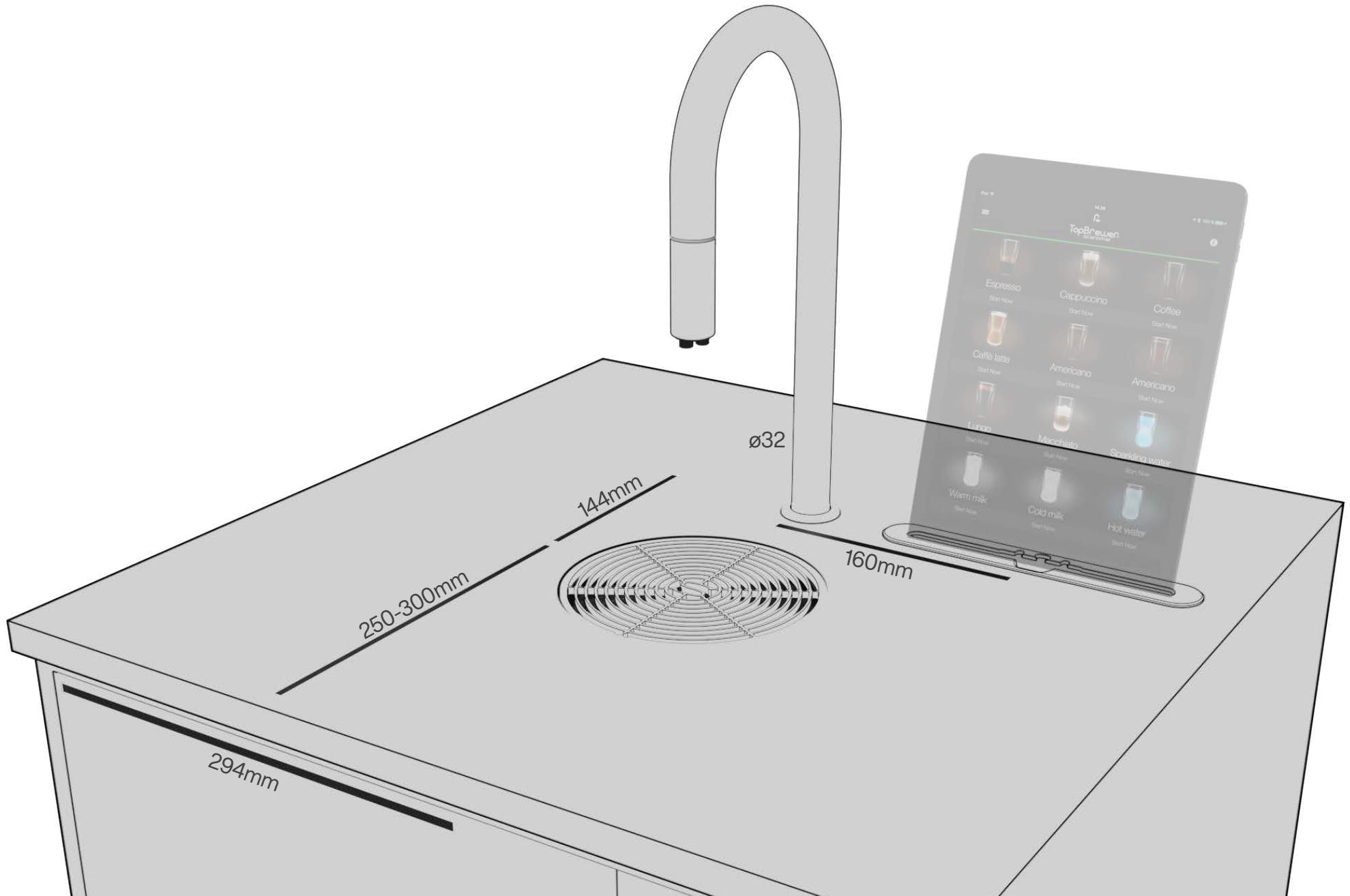
TP3 & TP4

 Always measure from the inside of the cabinet for cut-outs.

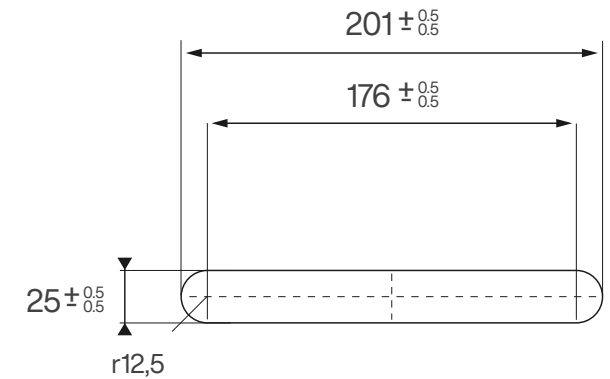
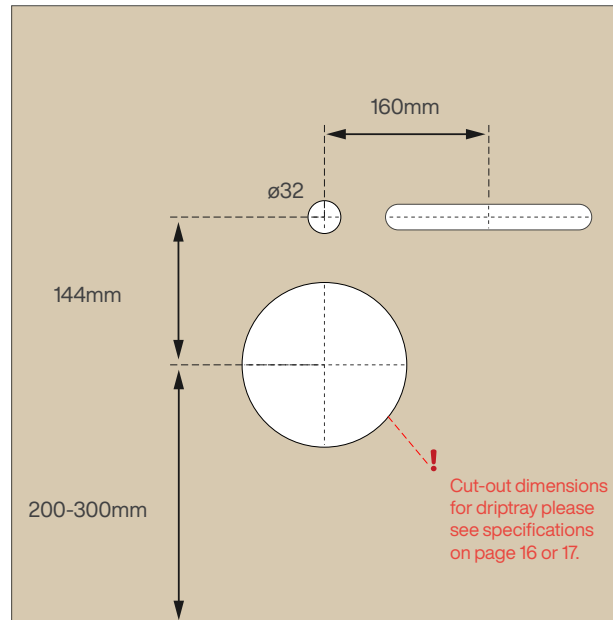
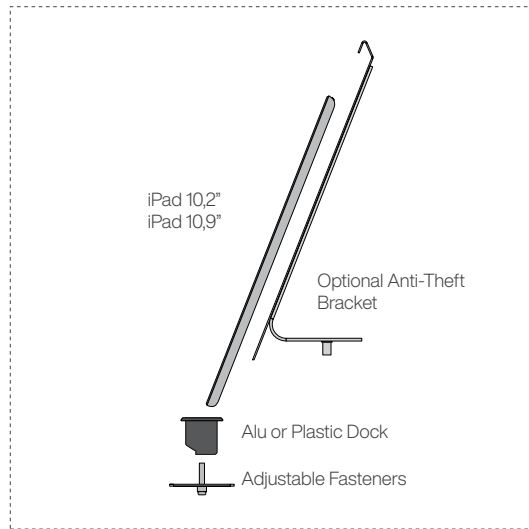


(optional to use grill from the Scanomat Ventilation Kit - dimensions for air outlet shall be kept)

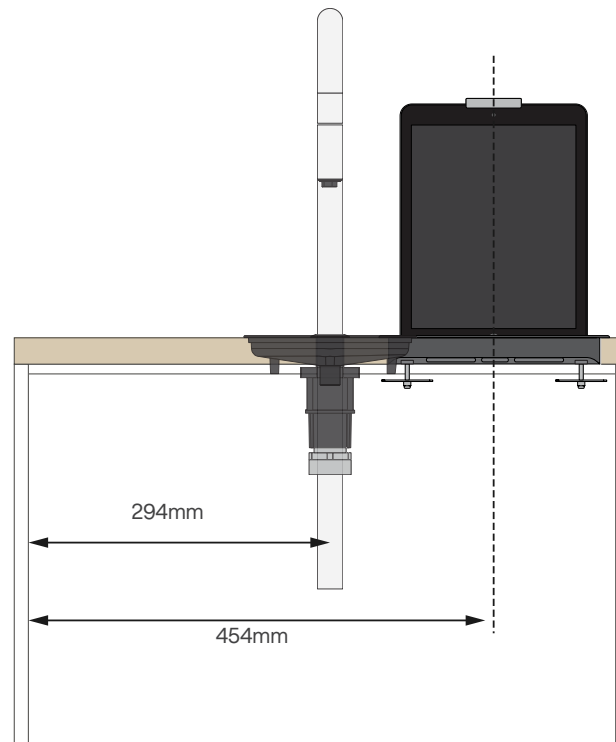
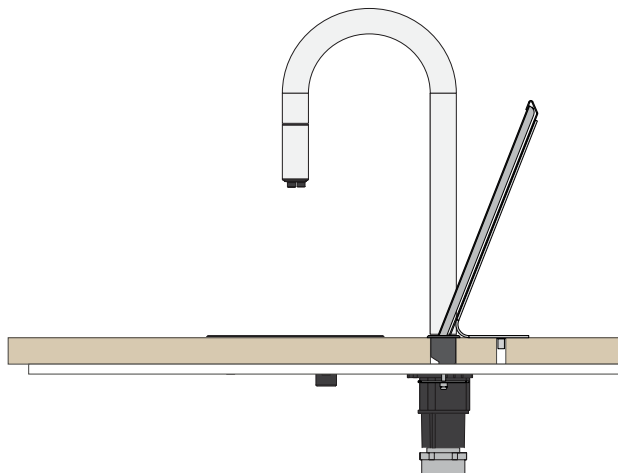
Faucet Cutouts + Aluminium Dock



Faucet Cutouts + Aluminium Dock

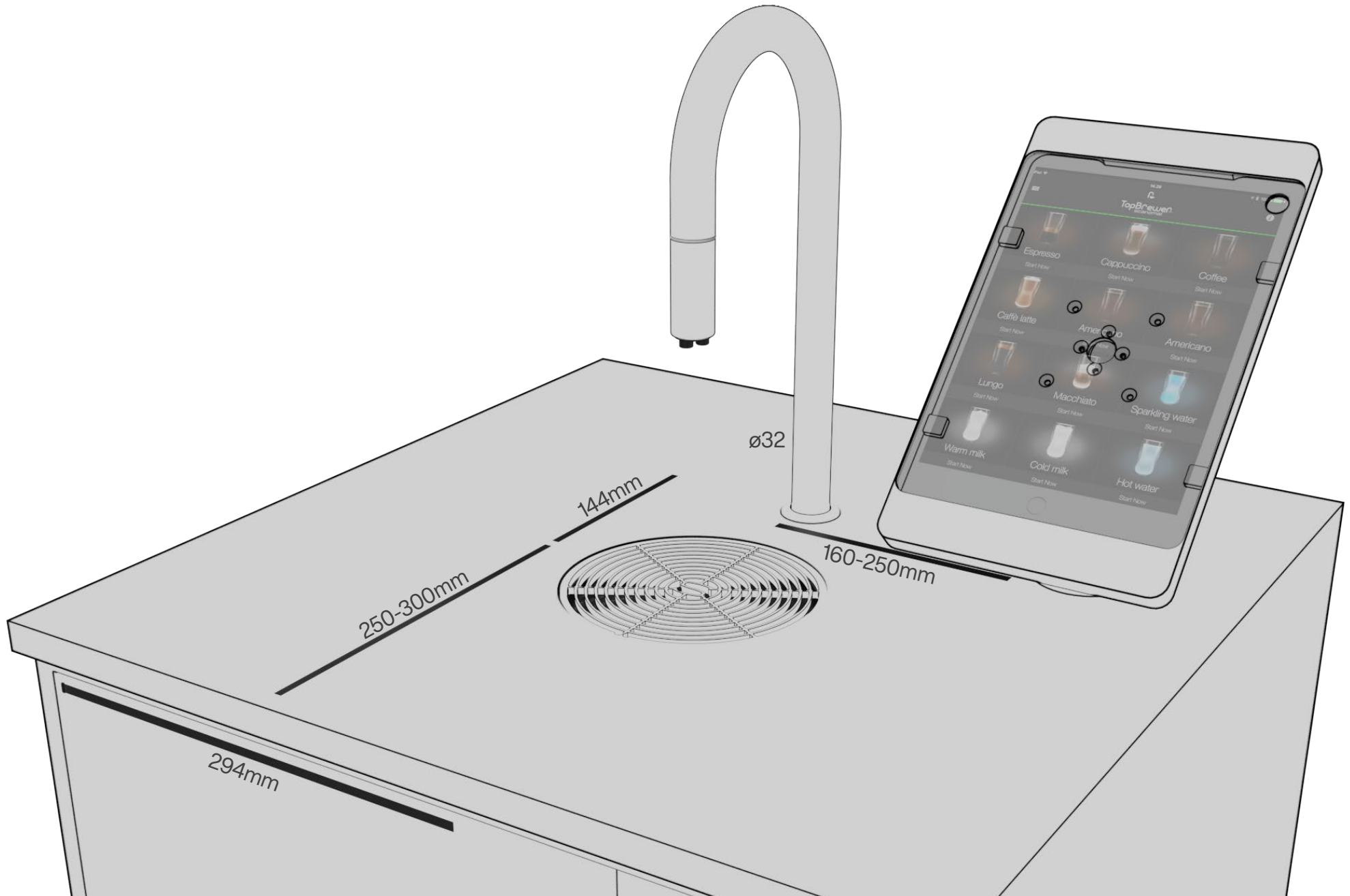


iPad Dock cutout dimensions

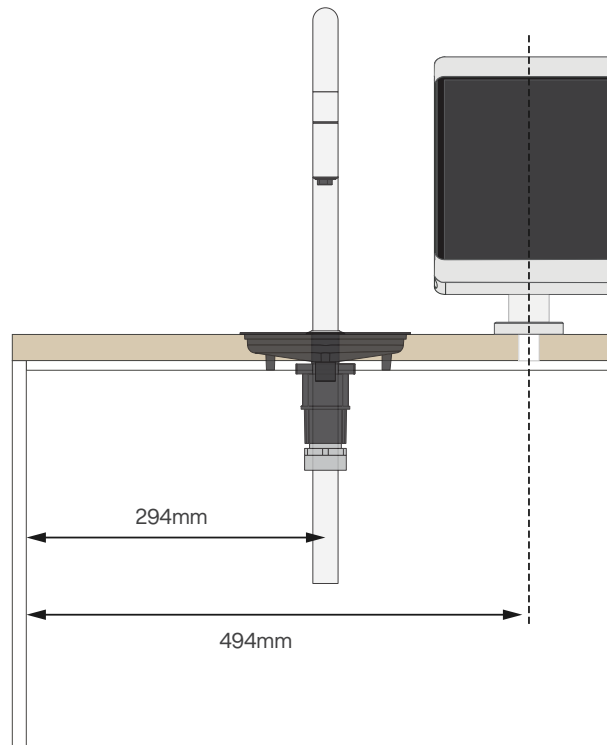
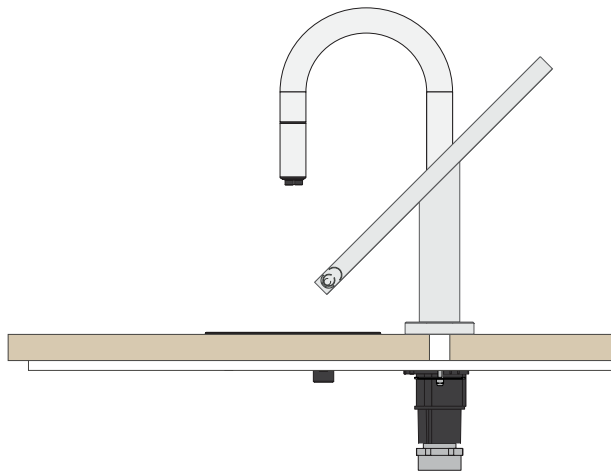
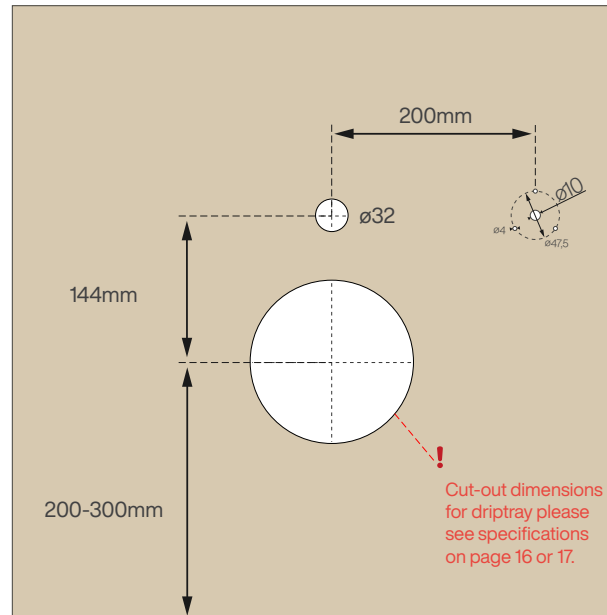
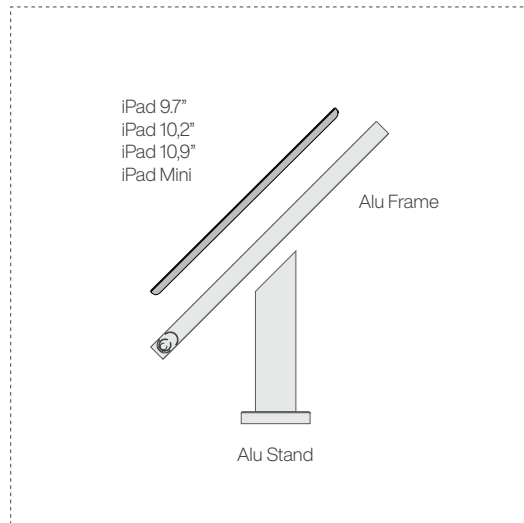


 Always measure from the inside of the cabinet for cut-outs.

Faucet Cutouts + Deluxe Holder

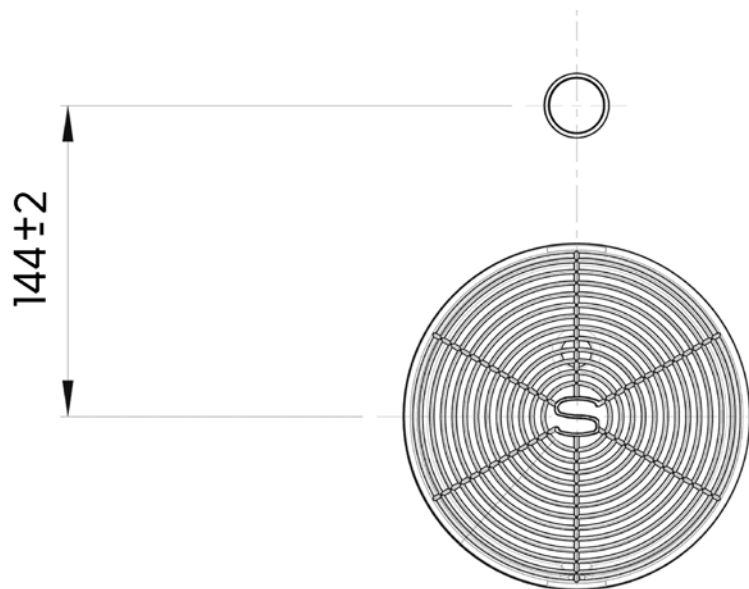
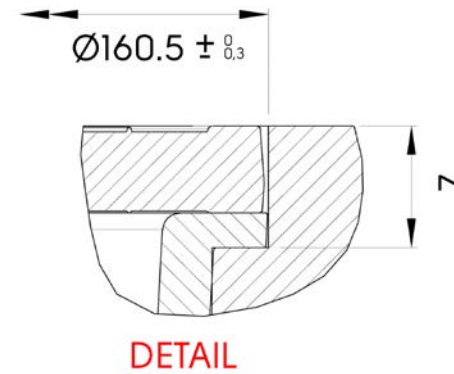
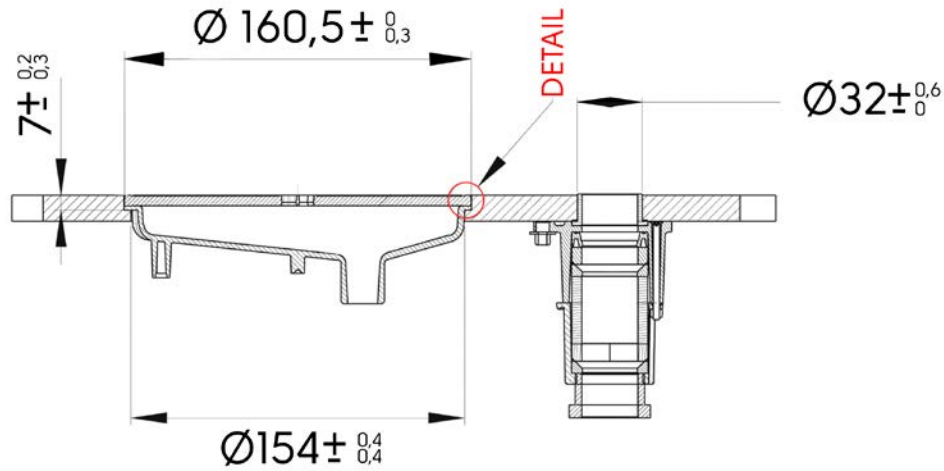


Faucet Cutouts + Deluxe Holder



 Always measure from the inside of the cabinet for cut-outs.

Driptray Countersunk



SKU: 2006162

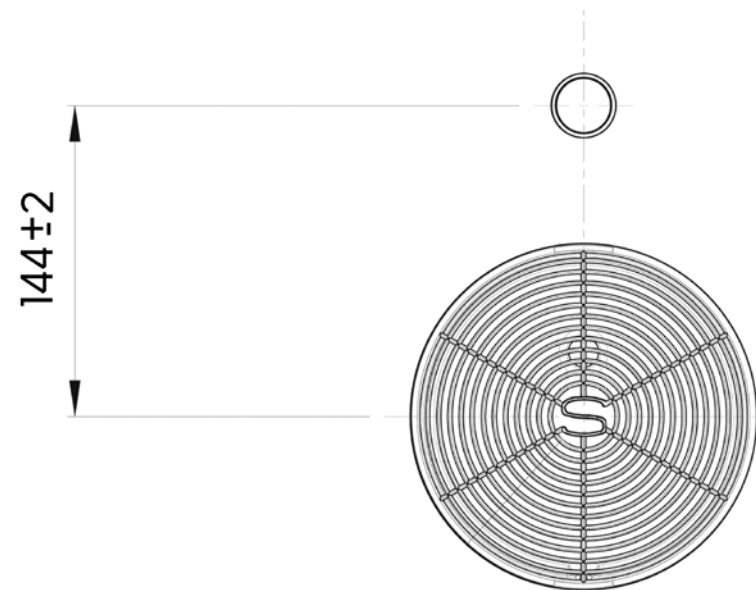
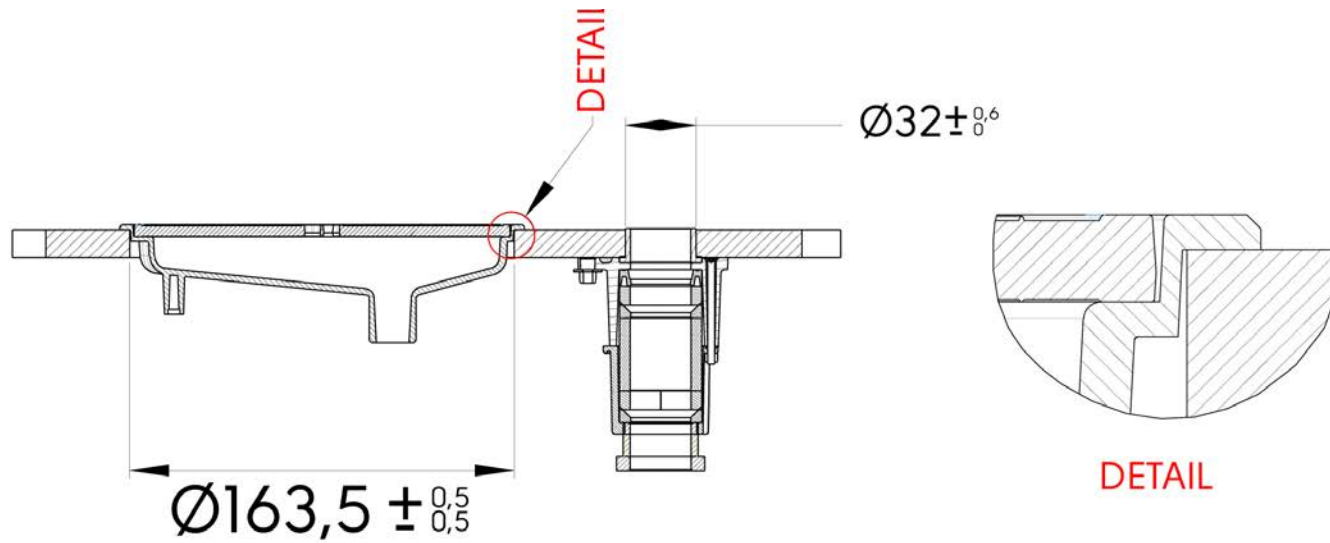
Choose this option for solid materials such as stone, corian, composites and similar.

Alternatively, see page 17 for the Top-Mounted version.

Aesthetically the more pleasing solution.

Driptray Top-Mounted

with lip



SKU: 2006162a

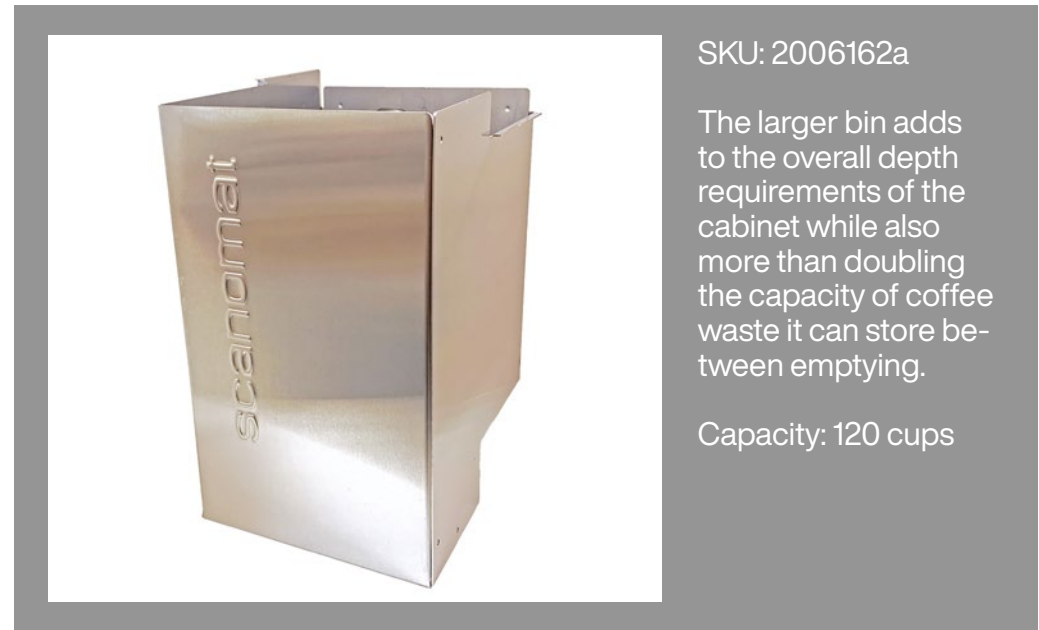
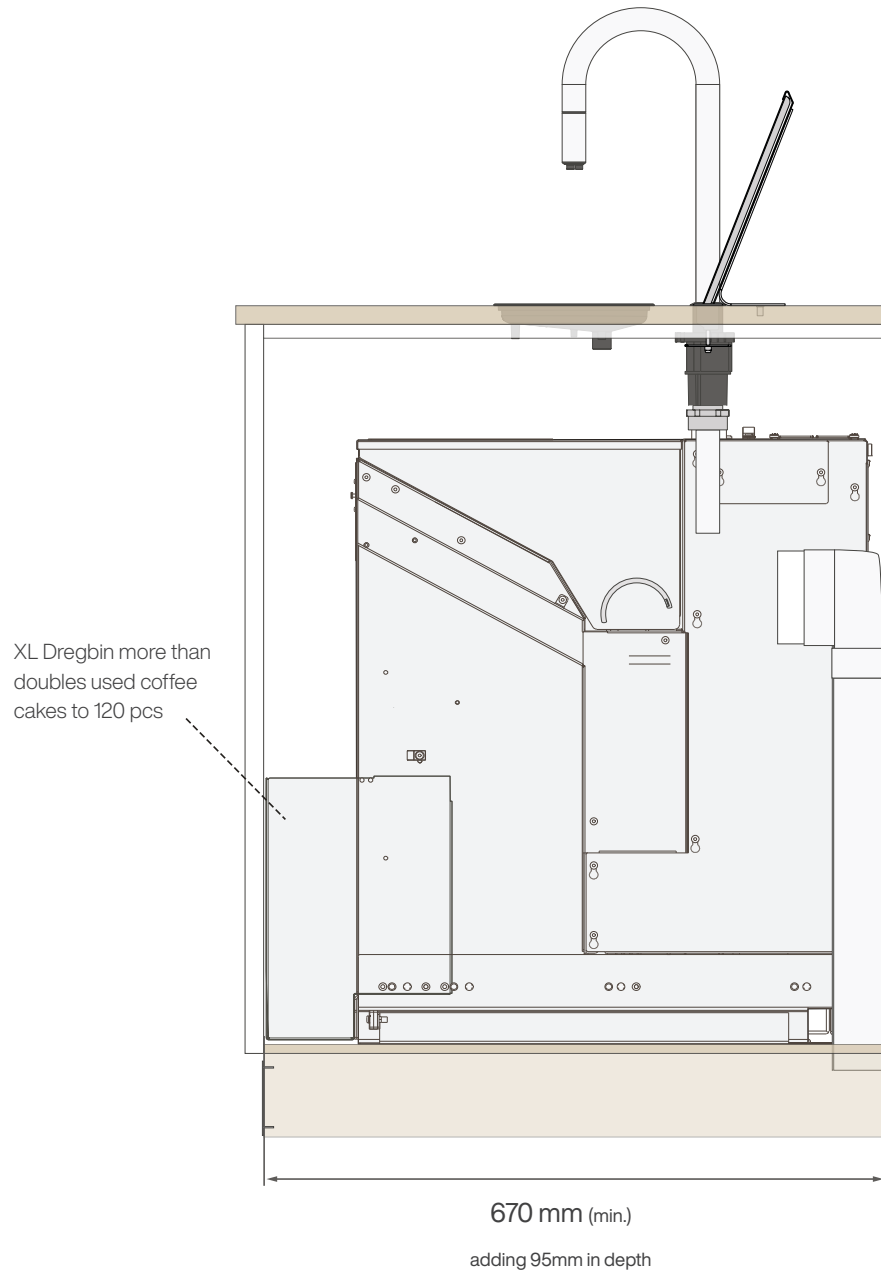
Choose this option for solid materials such as steel countertops, veneer wood tops, non-solid woods and such.


Alternatively, see page 16 for the Countersunk version.

Easier to cut and to seal for materials with open pores.

Optional Accessories

XL Coffee Waste Bin



 Always measure from the inside of the cabinet for cut-outs.

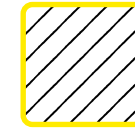
ELECTRIC

ELEKTRISK

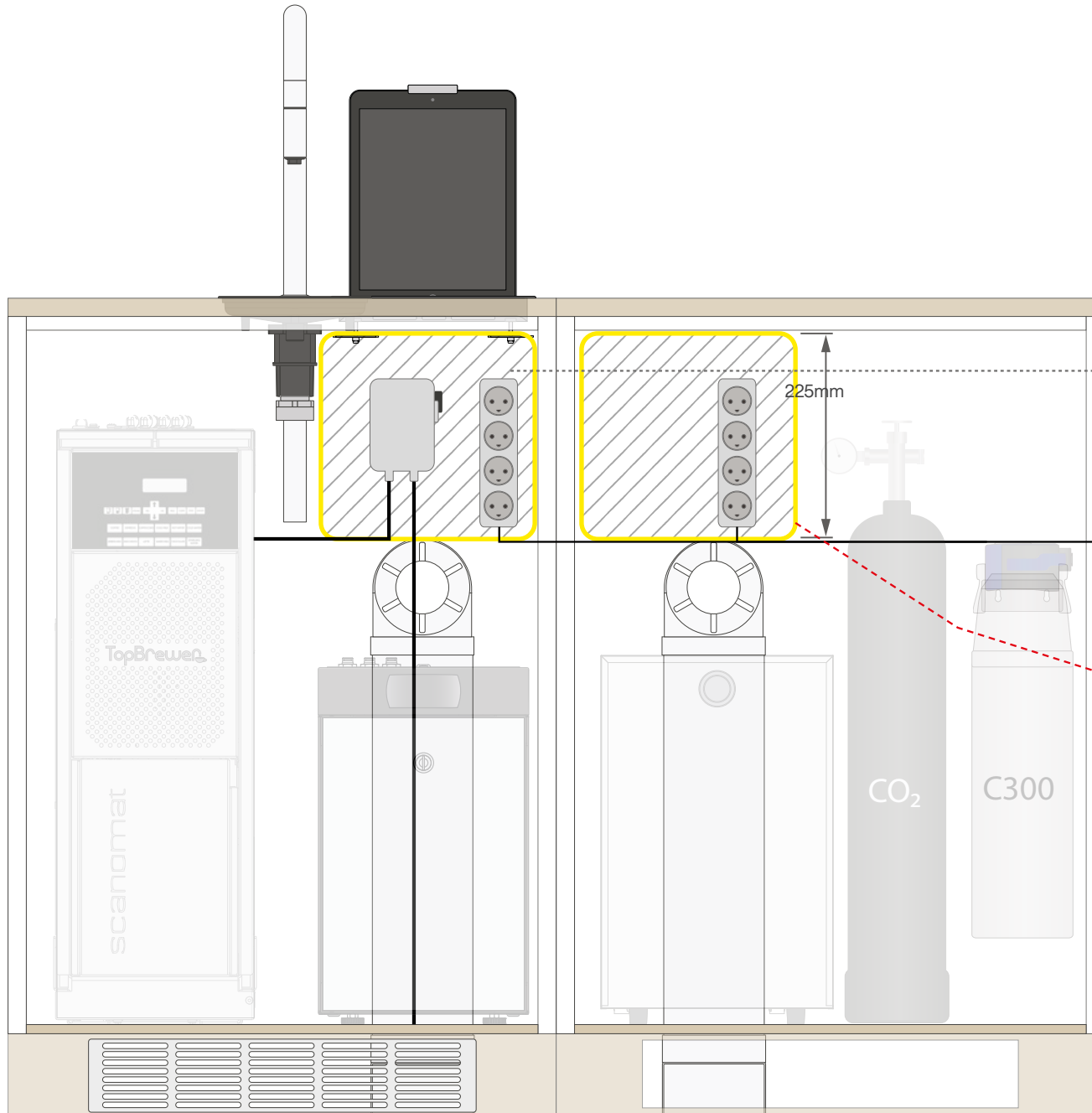
ELEKTRISCH

電的

TP1 + TP2

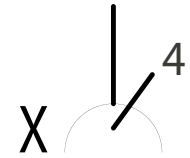


IMPORTANT
Electrical Installations
to be placed here



All electrical must be kept within boundaries

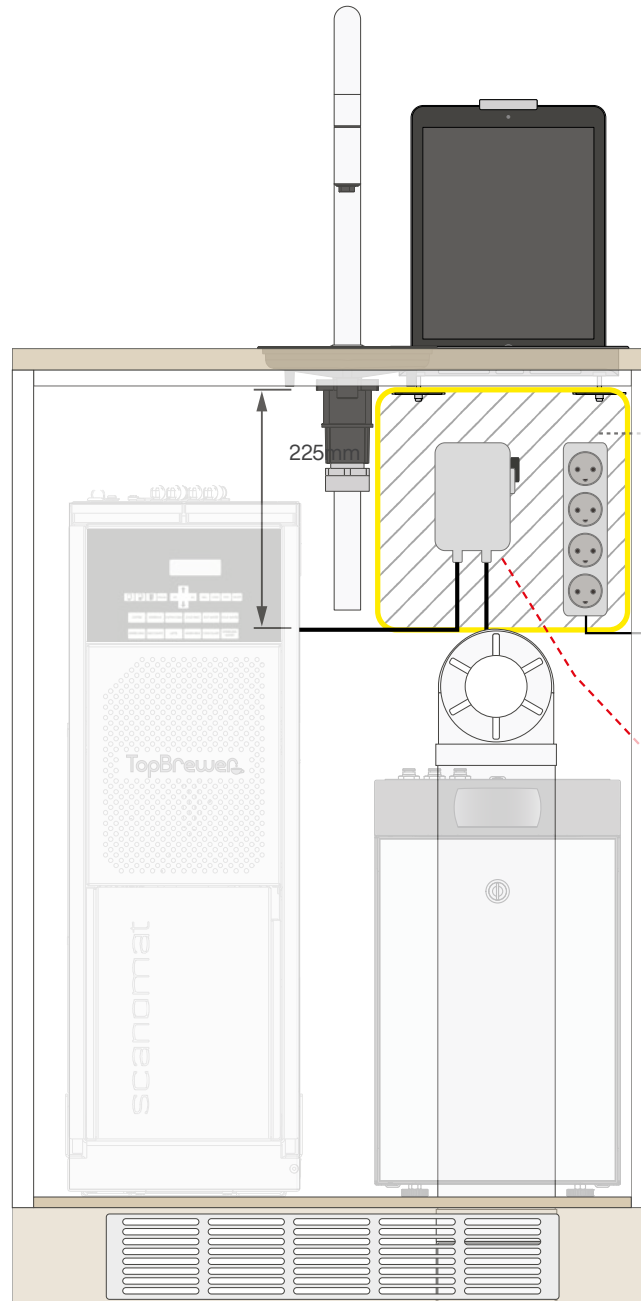
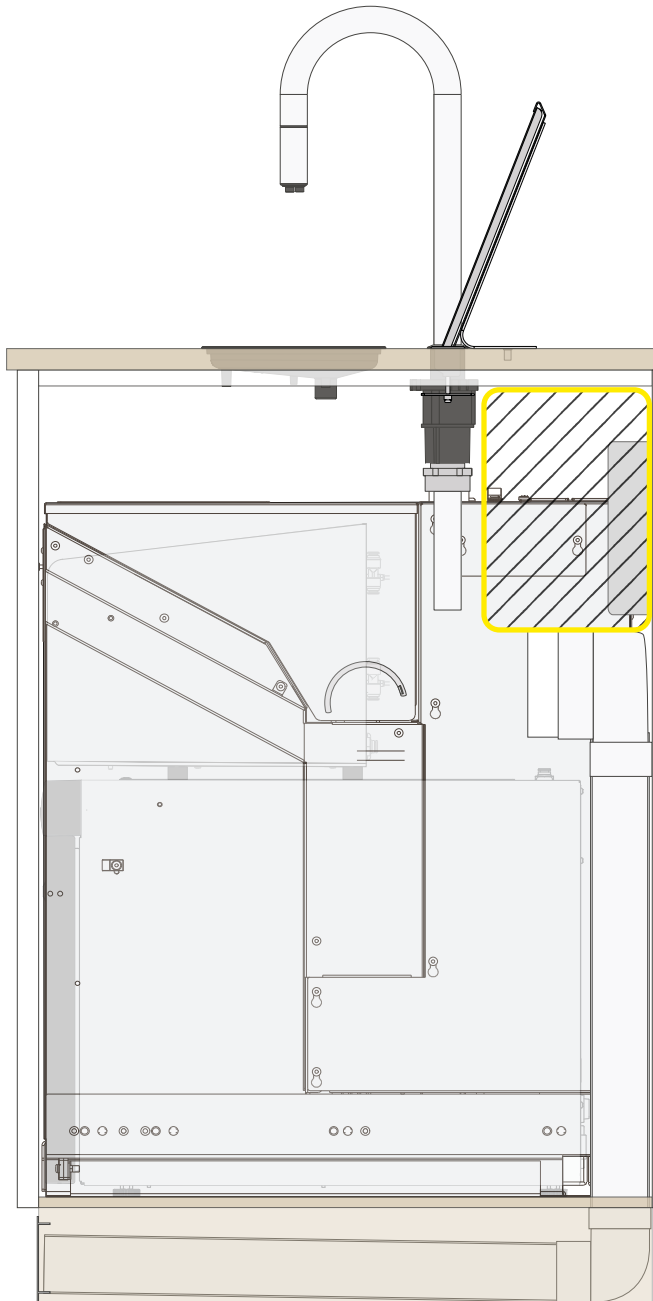
2 x Plug points
Fridge, Cooler,
Ventilation & iPad Charger



Single phase
230V, 10 amp
US & Canada:
Single phase 115V,
60 Hz, 10 Amp

Model	Type	Receptacle	Description
1558EUV.00.00 1558EUV.00.00		 16A 3P+N+E	3 phase, 400V 16 amp
1558UKV.00.00 1558UKV.00.00		 32A 3P CEE	1 phase, 230-250V 32 amp Alt. 10 amp running priority heating
1558USV.00.00 1558USV.00.00		 L6-30R	2 phase, 250V 30 amp Alt. 10 amp running priority heating

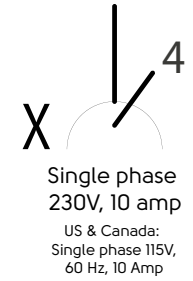
TP3 + TP4



IMPORTANT
Electrical Installations
to be placed here

All electrical must be kept within boundary

1 x Plug point
Fridge, Ventilation
& iPad Charger



Model	Type	Receptacle	Description
1558EUVR.XX.XX			3 phase, 400V 16 amp
1558UKVR.XX.XX			2 phase, 230-250V 32 amp Alt. 10 amp running priority heating
1558USVR.XX.XX			2 phase, 250V 30 amp Alt. 10 amp running priority heating

PLUMBING

VVS

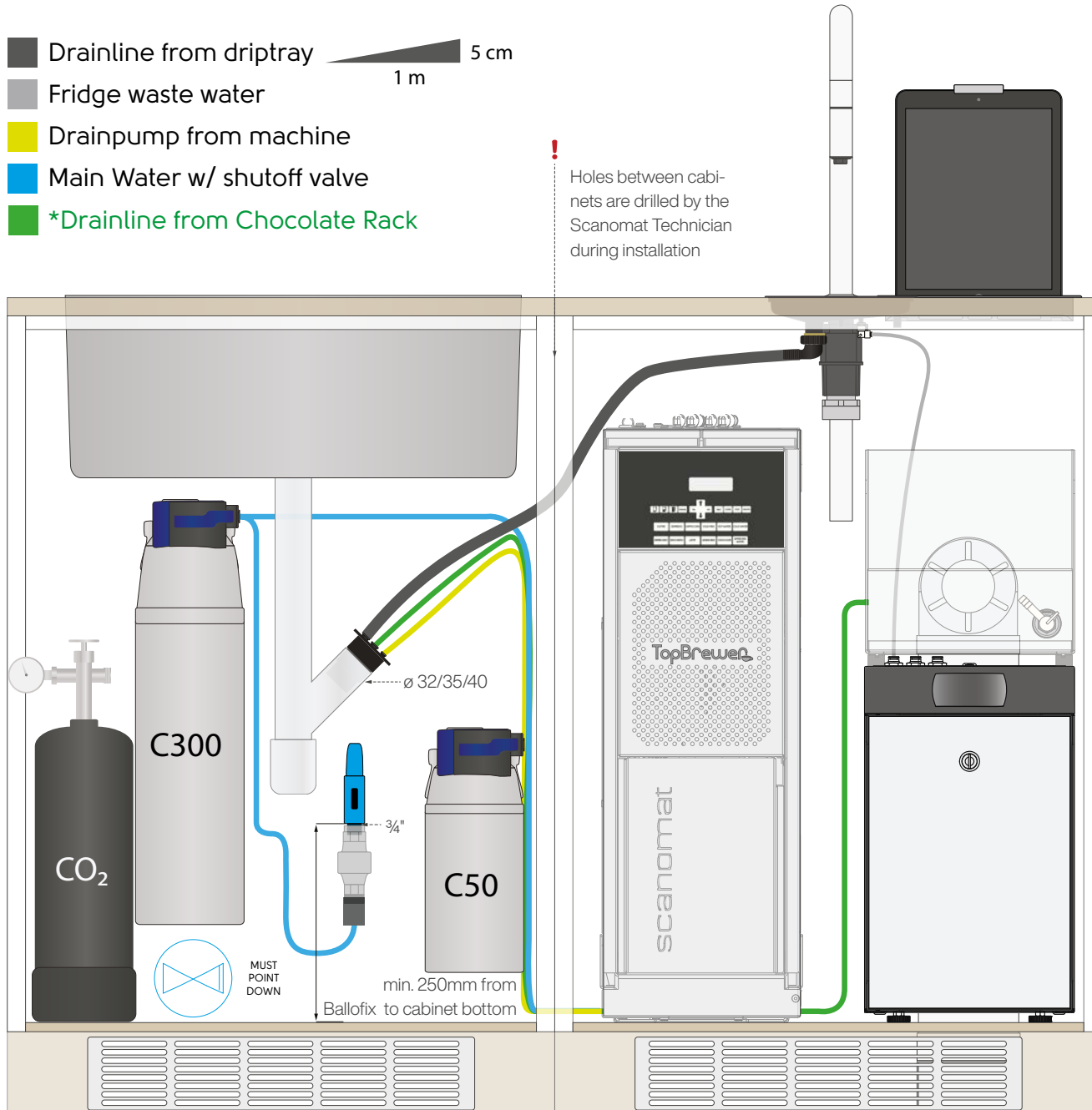
KLEMPNERARB

水暖

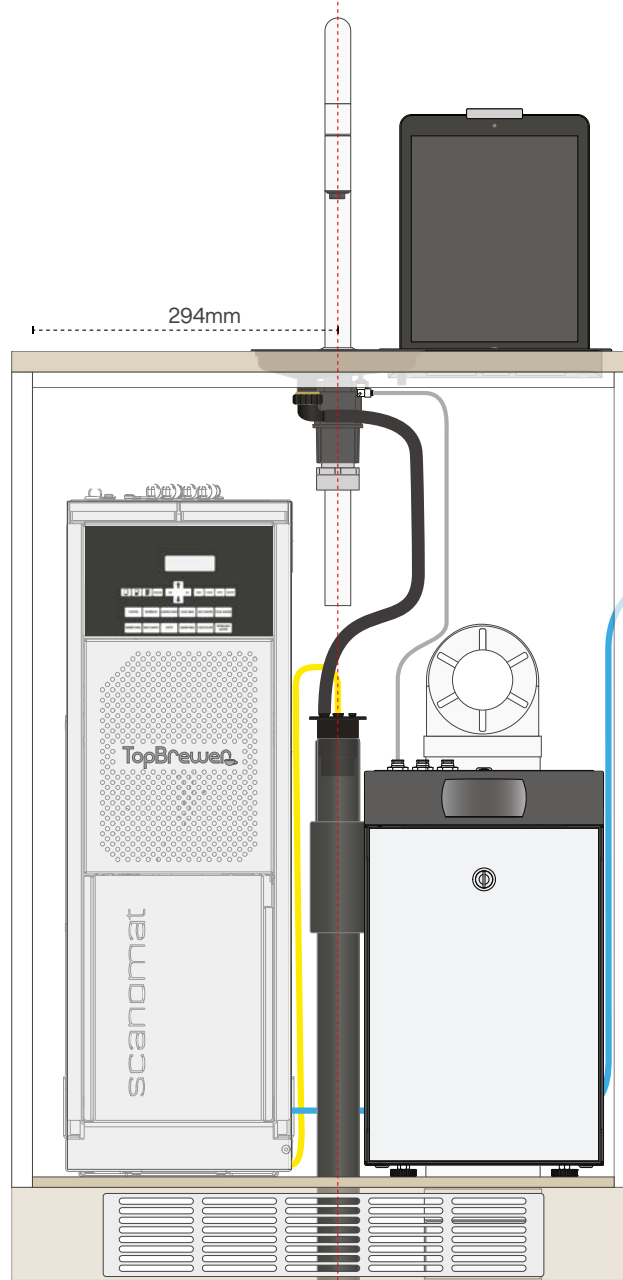
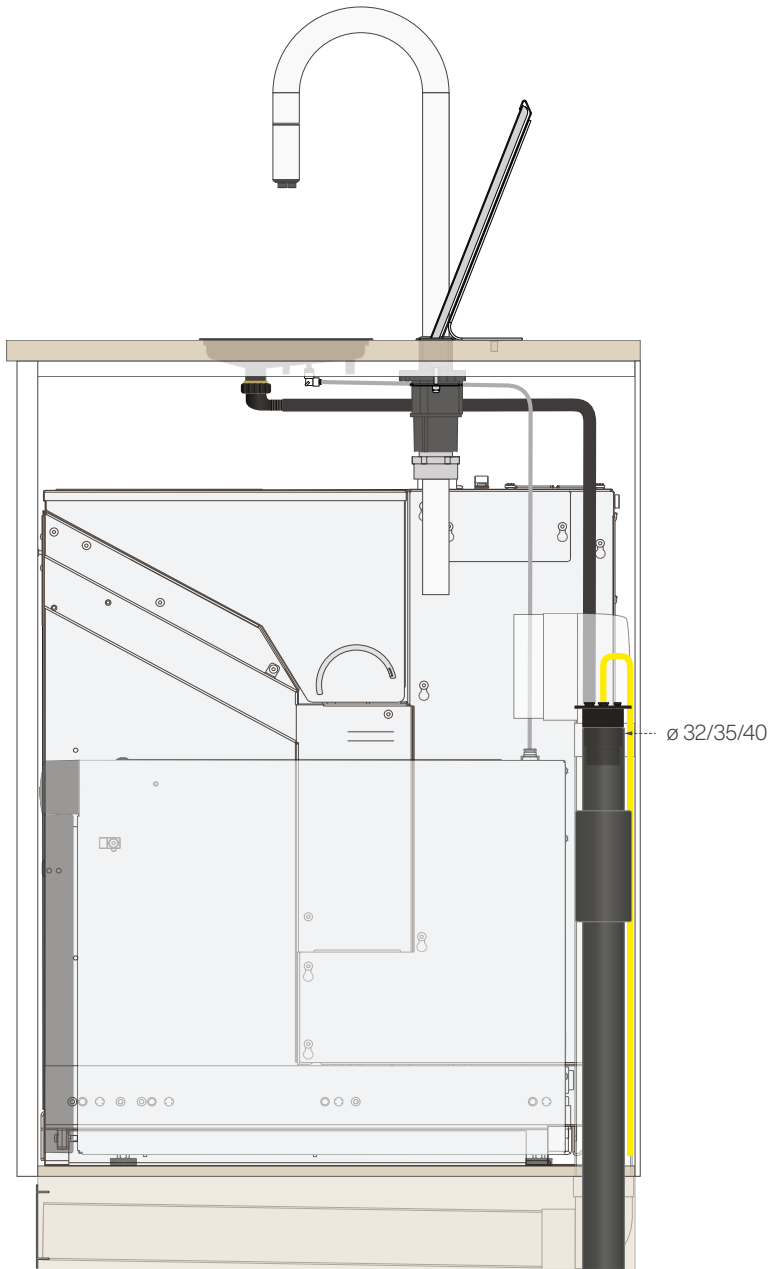
Adjacent sink

- Drainline from driptray 5 cm
- Fridge waste water 1 m
- Drainpump from machine
- Main Water w/ shutoff valve
- *Drainline from Chocolate Rack

! Holes between cabinets are drilled by the Scanomat Technician during installation



In-cabinet plumbing



U-Pipe is required

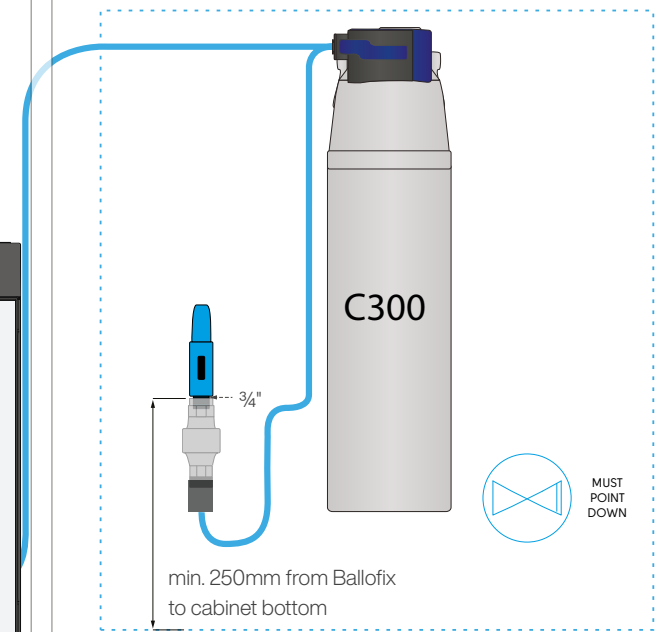
Drainline from driptray 5 cm / 1 m

Fridge waste water

Drainpump from machine

Main Water w/ shutoff valve

*Drainline from Chocolate Rack



Shut-off valve, waterblock and main inlet filter can be situated in an adjacent cabinet. Distance is not of importance, but incoming flow and pressure must be still acceptable and shut-off valve easily accessible.

See cut-out location for pipe on page 11
Pipe with vertical trap - fasten on rear wall

What needs to be ready before installation?

Please check each item applicable so the site is ready for installation by the Scanomat technician.



Checked and signed by: _____

SERVICES

		TP1 + TP2	TP3 + TP4
○	Electrics	EU Model, 3 phase 1 x 16A, 3P+N+E, type Schuko. Two (2) plugpoints with four (4) outlets, 230V, 1P+E	1 x 16A, 3P+N+E, type Schuko. One (1) plugpoint with four (4) outlets, 230V, 1P+E
		EU/UK Model, 2 phase 1 x 32A, 2P, type CEE Two (2) plugpoints with four (4) outlets, 230V, 1P+E	1 x 32A, 2P, type CEE One (1) plugpoint with four (4) outlets, 230V, 1P+E
		US Model, 2 phase 1 x 30A, 2P, type L6-30R Two (2) plugpoints with four (4) outlets, 115V, 1P+E	1 x 30A, 2P, type L6-30R One (1) plugpoint with four (4) outlets, 115V, 1P+E
○	Water fitting	Direct Water Connection, 3/4" type shutoff valve. Water pressure: 200kPa (2 Bar) - 600 kPa (6 Bar)	
○	Drain pipe	1 x Vertical ø40 mm drain pipe, standard u-bend og Hepvo trap	

DIMENSIONS

		TP1 + TP2	TP3 + TP4
○	Cabinetry	2 x 600 mm cabinet, internal dimensions of min. (WxDxH) 560 x 575 x 680 mm	1 x 600 mm cabinet, internal dimensions of min. (WxDxH) 560 x 575 x 680 mm
○	Drip tray cut-outs	Countersunk	ø160,5 mm hole (details, page 16)
		Top-mounted	ø163 mm hole (details, page 17)
○	iPad Holders	Aluminum dock	201 x 25 mm hole (see page 14)
		Deluxe Holder	ø9 mm hole for cable + 3 screw holes* (see page 15) * if hard surface like granite etc.
○	Ventilation	Toe-kick	472 x 71 mm cut-out for Scanomat supplied grate or similar size for custom grate. Ensure ability to gain access to the internals of the base-board (pages 9 & 11)
		Base inlet/outlet	Inlet: 2x 260x30mm holes. Outlet: 2x 55x115 mm holes (see page 10)
			Inlet: 1x 260x30mm holes. Outlet: 1x 55x115 mm holes (see page 11)